




DREAM LIGHT Workshop

User Manual

A large blue rectangular block with a white abstract line graphic crossing it, and a smaller solid blue rectangular block to its right.

DLW 550BSW PLUS
DLW 480BSW PLUS

Guangzhou Dream Lighting Equipment Co., LTD

Contents

Safety Information	3/4
Package & Transportation	5
Fixture Package	5
Transport protection lock	5
Unpacking	5
Accessories with fixture	5
Product Technical Specifications	6
Electrical parameters	6
Light Source parameters	6
Optics parameters	6
Effect configuration	6
Fixture Movement	6
Electronic Control	6/7
Color System	7
Gobo System	8
size& Weight	9
Operation Panel	9
Operation Panel Instructions	9
Detailed Operation Table of Display panel	10/11
Signal Connection	12
Power Connection	13
Connection type	13
Installation specification	13
Installation Instruction & Requirement	14
G- clamp Installation	14
Fixture Installation	14
Fixture Placement	15
Lamp Installation	16
Replace the lamp	16

DMX Channel Sheet (Brief) 17
DMX Specific Channel Sheet 18/19/20/21
Maintenance & cleaning of the fixture 22/23
Attachment 1 Angle range and the measurement figure of the fixture 24/25
Attachment 2 Electrical Diagram. 26

Safety Information





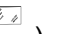
Note: Please check the complete package after received , and please unpack and check if the fixture is damaged during shipping. If the fixture is damaged during shipping, please do not use it and contact the manufacturer/local technicians as soon as possible.

The following identifications are used to identify the product and identify the important safety information in the user manual.

Caution!	Indoor used only!	Refer to the manual before installation/ power on/ maintenance	Caution Eelectric shock hazard!	Properly grounded	Caution wear goggles!	Caution! High surface temperature Don't touch!	Caution! Must wear gloves!
Caution Prevent fire!	Do not stare at the operating light source	Do not interfere with the track of the operating fixture	Minimum distance of illuminated objects(m)	Rated maximum ambient temperature!	Don't install the fixture on the surfact of combustible materials!	Replace any cracked protective shields	

Notes:

- The fixture is used professionally only, please don't used it for any other purposes.
- Please refer to the latest user manual before using the fixture. The fixture is out of warranty if problems are caused by any incorrect use or negligence of the user manual.
- The fixture is used indoor only; the protection level rate is IP20. Please keep the fixture dry and avoid to use the fixture under the environment of damp, overheating or dusty. Please keep the fixture away from water or any other liquids.
- In order to avoid damage the fixture, it is required more than 1 person when moving the fixture. When hanging the fixture, the hanging device must be tested. The hanging device should be able to bear more than 10 times of weight of the fixture. Please make sure the housing and G-clamp are fixed and do not have damage after installed. Please use the safety chain to keep the fixture fixed on the truss safely.
- The fixture should be installed in a well-ventilated place. Keep the distance of the fixture and the obstacles more than 0.5 meter, and please check the fans and ventilation hole sare not blocked.

- Please don't install the fixture on the surfaces of the inflammable goods directly.
- Please check the voltage before the professional technicians install the fixture.
The voltage must be the same with the voltage which marked on the fixture.
Overloading protection or leakage protection are also required.
- Before power on the fixture, please check whether the fuse meets the technical requirements.
Please don't replace the fuse without professional instructions and short circuit it when the fixture is powered on. And then confirm whether the input
- voltage meets the technical requirements and the ground wire is properly connected.
- Please cut off the power supply when replacing the fuse. ()
- Rated maximum ambient temperature when the fixture is working: $t_a = 40^{\circ}\text{C}$.
- The safe/shortest distance to the illuminate object: 20m.
- when the fixture working stably, the maximum surface temperature: $t_c = 100^{\circ}\text{C}$.
- The shortest safety distance to combustible material: 0.7m.
- Please don't touch the fixture when it is working stably. It's highest surface temperature can reach 100°C .
- The distance should be longer than 3.5 m when the installation location of the fixture is designed to be stared for a long time.
- Please pay attention to severe or hazard damage caused by the shock from fire or heat, the UV violation, lamp explored or falling down.
- Please don't look at the lighting fixture without any eye protection.
- Please don't power off the lamp or cut off the power supply when it is working in 5mins, because of the special necessary of Metal halide discharge bubbles. Please reset it or move it or open it after power off for 15mins or cooling completely.
- Please don't stare at the working fixture directly without any eye protection.
- Please replace the protective cover and lens if any visible damage happened or the damage has reached the malfunction level. ( )
- The fixture must be installed, operated, and maintained by professionals strictly according to the user manual.
- All the information of the user manual is for your reference only. All fixtures should be subject to the actual product, which is subject to change without prior notice.

Package & Transportation

Fixture package

- Please cut off the power supply and cool it down for over 15 minutes before packing the fixture.
- Lock the protection lock well with Pan=0°, Tilt=90°.
- Please place the fixture in the plastic bag, and then carefully put it into the flight case vertically, the accessories are placed at special area in flight case, then close the lid and lock the flight case. Please don't put it upside down.

Transport protection lock

- Protective locks for pan and tilt movement are installed in the fixture for safe transportation.

Unpacking

- Open the packing box, and then open the inner packing bag.
- Grasp the handle of the fixture, take it out from the case carefully.
- Unlock the protective lock before power on the fixture.

Notice: Please check the complete package after received the fixture, please check whether the fixture is damaged or not during shipping after opened the packing. If the fixture is damaged during shipping, please don't use it first, and contact the manufacture/local technicians as soon as possible.

Accessories with fixture

Accessories	Qty
User Manual	1
Warranty Card	1
Signal Cable	1

Product Technical Specifications

Electrical parameters

AC100 - 240V 50 / 60 Hz

DLW 550BSW PLUS Rated Input Power:750W rated electrical current:7.5A,PF≥0.98

DLW 480BSW PLUS Rated Input Power:700W rated electrical current:7A,PF≥0.98

Light Source parameters

- DLW 550BSW PLUS Light source:PHILIPS MSD Platinum 500L Flex
- DLW 480BSW PLUS Light source:OSRAM SIRIUS HRI 482W

Optics parameters

- High-definition lens with anti-reflective film.
- Zoom range:Beam:1.8° ~ 28° Spot: 1.8° ~ 42° Wash:3° ~ 48°

Effect configuration

- 1 Frost effect,bidirectional rotating.
- 2 prism,can be stacked out of the multi-layer beam effect,
can be Bi-directional rotation combination,Bi-directional rotation.
- Mechanical dimmer 0-100%.
- Fast strobe device, multiple strobe effects optional,pulse/asynchronous/
synchronous/slow-medium-fastat random.

Fixture movement

- PAN=540°, 16bit precision adjustment.
- TILT=252°, 16bit precision adjustment.

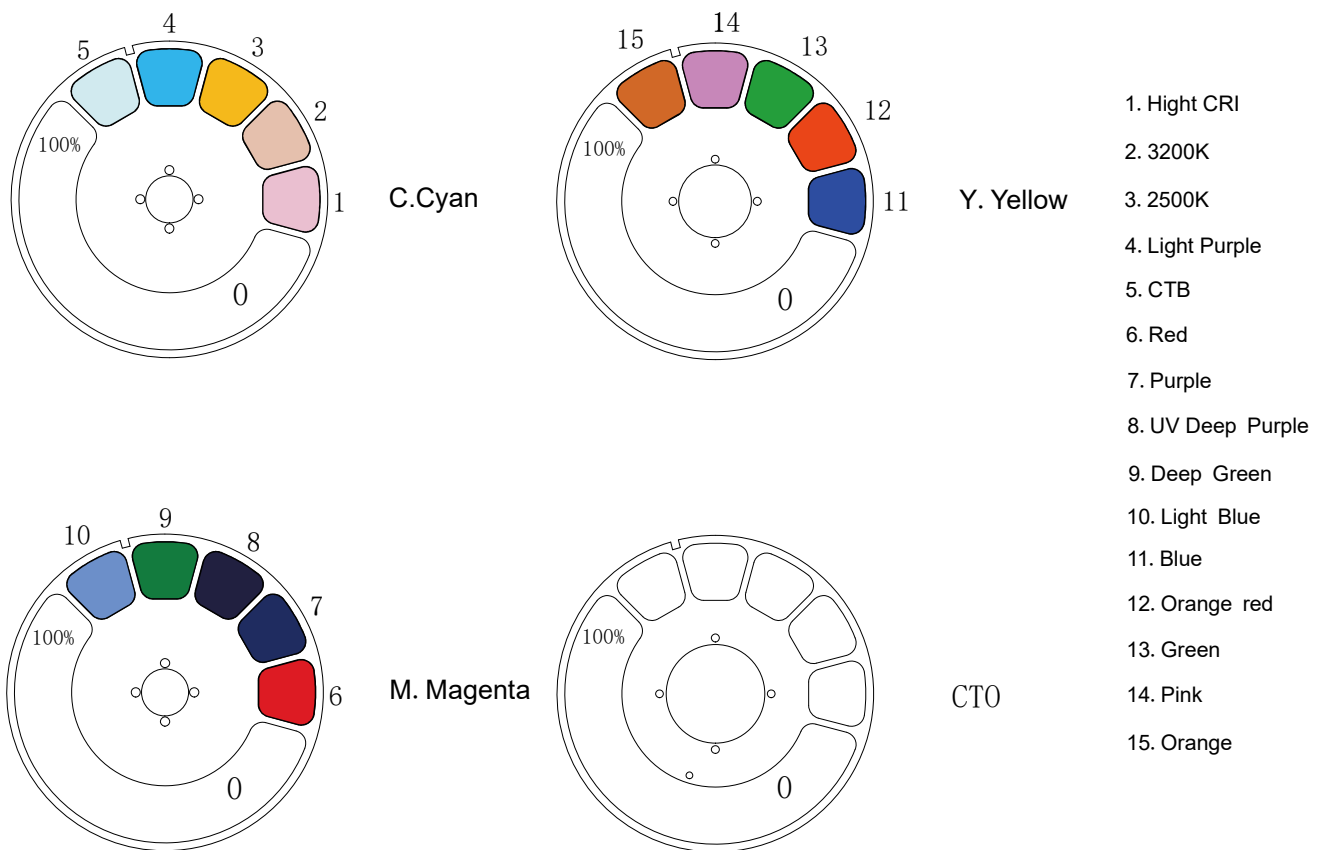
Electronic Control

- Channel:29CH/31CH/40CH.
- Control Protocols:DMX512,RDM,Art-Net,sACN,wireless function(optional).
- Control Portals: XLR-3+ XLR-5; RJ45 (optional).
- Menu display: 2.4" LCD screen; choice of Chinese and English language,
menu available to be displayed 180° reversely.

- Built-in self-rechargeable battery, menu can be edited without power supply (optional version); Support connecting with power bank to enter the menu and edit address code and other settings.
- Electronic sensors testing, fan intelligent detect and controllable.
- Eco mode(sleep mode when standby).
- Non-touching magnetic encoder positionable system for pan/tilt.

Color System

- CMY infinite color mixing.
- CTO color temperature ,2700K-7000K linear adjustment.
- 15 color filters (Pic1).

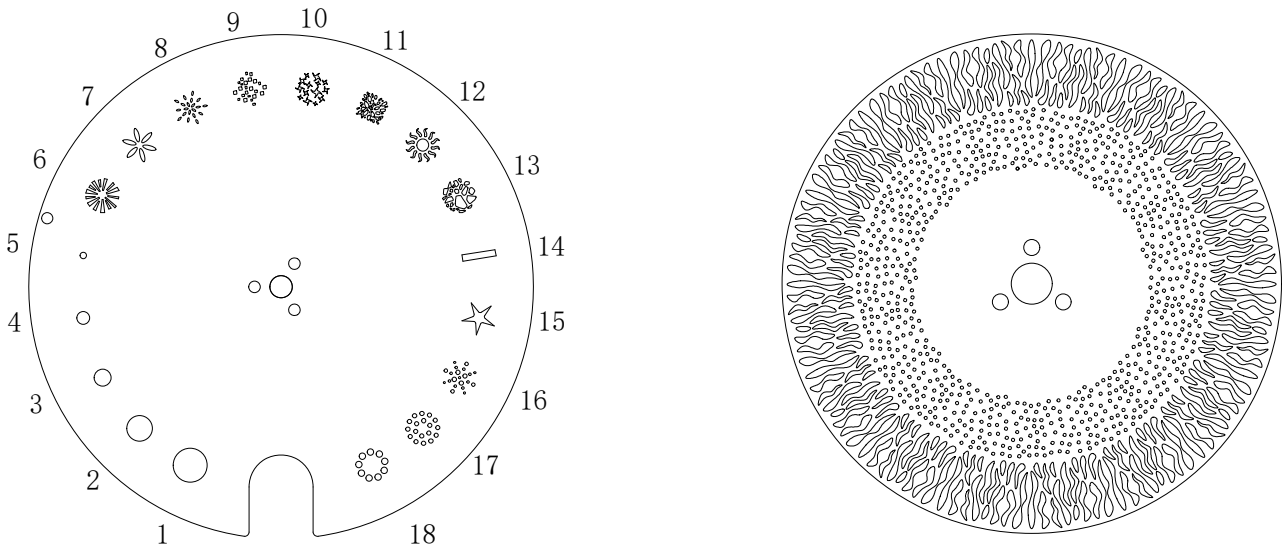


Pic1

Note: DLW 480BSW PLUS NULL CTO

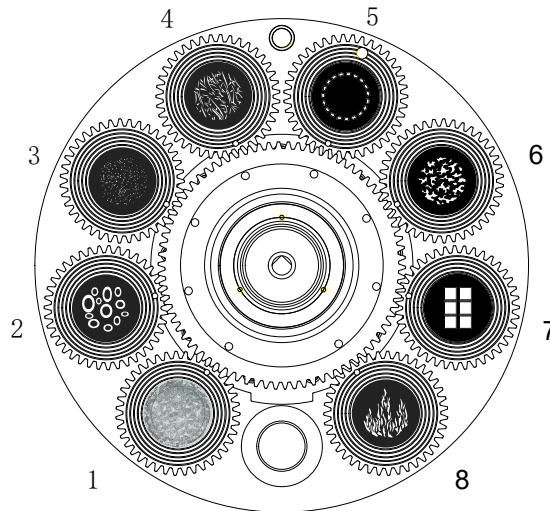
Gobo System

- 1 fixed gobo wheel with 18 gobos+ white to make water running, and shaking effect. (Pic 2)
- 1 Gobo animation wheel, cloud, fire, scrolling.



Pic2

- 1 rotating gobo wheel, 8 bi-directional rotating & positioning gobos, rotation, water flow, shake.



Pic3

Gobo Specifications

- The gobo plates are made from material, it can be customized according to user needs.

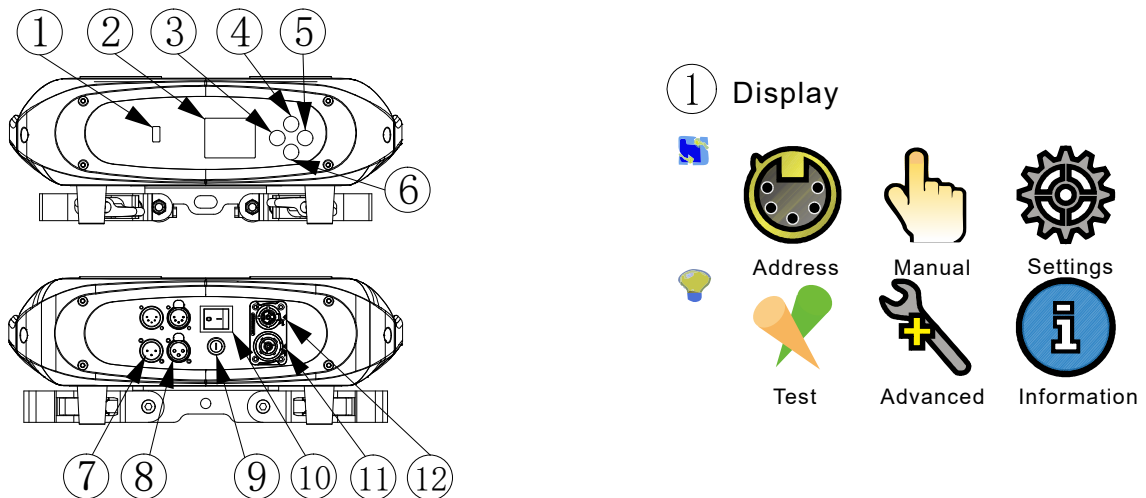
The size for customized gobo plates:

Material	Outer diameter	Effective Diameter	Thickness
Metal Gobo	∅16.4mm	∅ 12mm	1.1mm
Glass Gobo	∅16.4mm	∅ 16.4mm	3.5mm
Gobo plates adopt high temperature glass(or high temperature metal)			

Size & Weight

- Fixture size: 417X417X731(mm)
- Packing size: 1034x629x821 (mm) (1 flight case 2)
- Net weight of the fixture:29kg
- Net weight of the Flight case:42kg
- IP Rate: IP20

Operation Panel






As shown:




- | | | |
|----------------|--------------|-----------------|
| 1.USB | 5. Enter | 9.Fuse box |
| 2.LCD Display | 6. Down | 10.Switch |
| 3.Menu(Return) | 7.DMX input | 11.Power output |
| 4.Up | 8.DMX output | 12.Power input |

Operation Panel Instructions

- Up Direction key:Select Sub-menu cyclically(upward).Circulate downward to adjust data value.
- Down Direction key: Select Sub-menu cyclically (downward). Circulate downward to adjust data value.
- Left Direction key(Back):Back to menu.
- Right Direction key(Confirm):Confirm the selected data value o rselect cyclical data window.

Detailed Operation Table of Display panel

Specification 	1.Pan Inverse	Off,On	
	2.Tilt Inverse	Off,On	
	3.PT Encoder	Off,On	
	4.PT Speed	FAST,NORMAL,SLOW	
	5.Dim Curve		
	6.LED PWM		
	7.Dim Speed	Speed1,Speed2,Speed3,Speed4	
	8.FAN mode	LOW,NORMAL,HIGH,AUTO	
	9.Display blackout	Off,On	
	10.display inverse	Off,On	
	11.KEY LOCK	Off,On	
	12.Language	English,Chinese	
	13.Sleep Mode	Off,On	
	14.Fixture	
	EXIT		
	Manual 	1.Channel	
		1.Pan	000~255
		2.Tilt	000~255
		3.Strobe	000~255
		4.Dimmer	000~255
		5.Focus	000~255
		6.Zoom	000~255
		7.Cyan	000~255
		8.Magenta	000~255
		9.Yellow	000~255
		10.CTO (480 Null)	000~255
		11.Color1	000~255
		12.Color2	000~255
		13.Color3	000~255
		14.Gobo1	000~255
		15.R-Gobo	000~255
		16.FIXGOBO	000~255
		17.Animation	000~255
		18.Animation Rotate	000~255
		19.Prism	000~255
		20.R-Prism1	000~255
		21.R-Prism2	000~255
		22.Frost	000~255
		23.Beam Mode	000~255
		24.Reset	000~255
		25.Lamp control	000~255
		EXIT	
	2.Reset	NO, YES	
	3.Lamp control	Off,On	
	EXIT		
Address 	1.DMX512 Address	001~512	
		EXIT	
	2.Channel Mode	Basic	
		Standard	
		Extend	
	EXIT		
	3.No DMX Mode	Dmx hold	

		Black out	
		EXIT	
	EXIT		
Information 	1.Fixture Hour	Fixture Hour	XXXXXX
		LED Hour	XXXXXX
		EXIT	
	2.Version	PANEL Ver :	XXXX
		XY Ver:	XXXX
		DRV1 Ver:	XXXX
		DRV2 Ver:	XXXX
		DRV3 Ver:	XXXX
		DRV4 Ver:	XXXX
		EXIT	
	3.Temperature	PANEL Temperature :	XXX-XXX
		XY Temperature:	XXX-XXX
		DRV1 Temperature:	XXX-XXX
		DRV2 Temperature:	XXX-XXX
		DRV3 Temperature:	XXX-XXX
		DRV4 Temperature:	XXX-XXX
		EXIT	
	4.Fan Speed	PANEL Fan :	XXXX-XXXX
		XY Fan:	XXXX-XXXX
		DRV1 Fan:	XXXX-XXXX
	DRV2 Fan:	XXXX-XXXX	
	DRV3 Fan:	XXXX-XXXX	
	DRV4 Fan:	XXXX-XXXX	
	EXIT		
5.RDM ID	XXXXXXXXXX		
	EXIT		
6.System Error	NONE		
	EXIT		
	EXIT		
Advanced 	1.Factory Reset	NO, YES	
		EXIT	
	2.Fixture Time Reset	NO, YES	
		EXIT	
	3.LED Time Reset	NO, YES	
	EXIT		
4.Calibration	NO, YES		
	EXIT		
	EXIT		
Test 	1.Auto test		
		NO	
		YES	
		EXIT	
	EXIT		

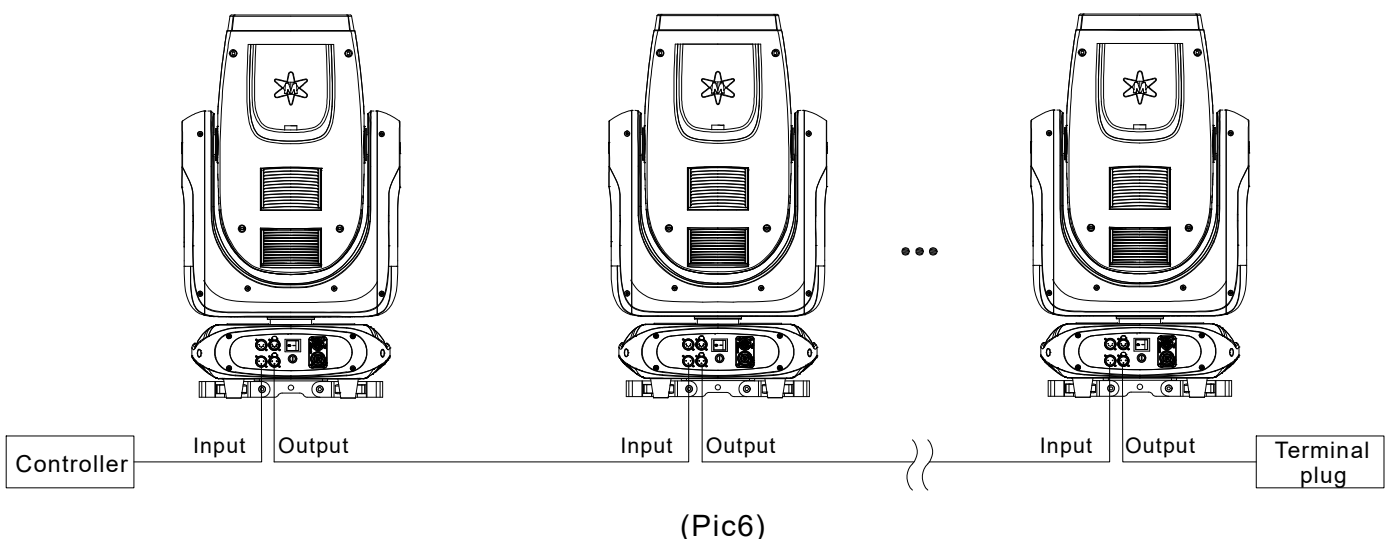
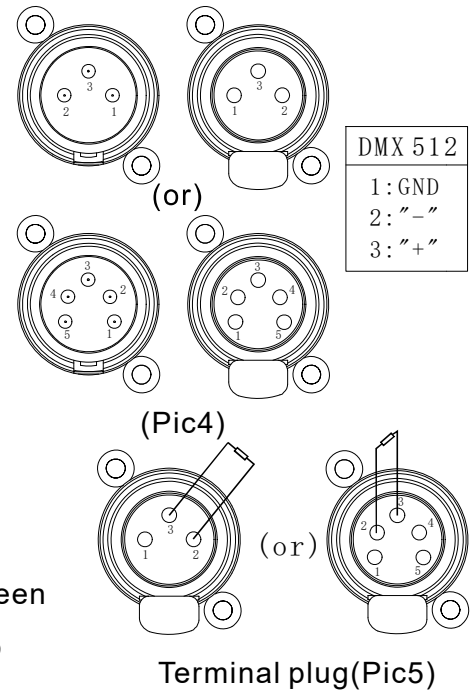
Signal connection

The fixture adopts 3pin/5pin socket to control DMX input and output, Pin1 is connected to grounded, Pin2 is connected to "- ", Pin3 is connected to "+ "(Pic4).

Please adopt professional DMX512 STP signal cable, usually its effective range is within 150m. When long distance signal transmission is required, please add DMX 512 signal amplifier.

To avoid the signal reflection during the transmission, please add a terminal which is 120Ω 1/4W resistance between DMX output pin2 and pin 3 of the last fixture. Plug the pin to the DMX output connector of the last fixture. (Pic5)

Connect the fixture from the DMX output of controller to DMX input of the first fixture, and then connect the first fixture's DMX output to the second fixture's DMX input and so on, until all fixtures are being connected. Then please install a terminal plug in DMX output of the last fixture. (Pic 5) The method of connection as show bellow. (Pic 6)



- Notice:
- Don't use multi- output connector for connecting separately, It must connect the branch with DMX512 signal amplifier to separate them if it is required.
 - Standard amplifier cable is not reliable for long-distance data transmission; Please adopt professional DMX 512 STP signal cable.
 - The signal of the fixture only has one input and one output. Two input/output for each fixture are not available.

Power connection

Input voltage and frequency must be identical to the voltage and frequency marked on the fixture. When many fixtures are working at the same time, it is strongly recommended to control each fixture on/off individually.

Connection type

L(Live line)Brown wire

N(Null line)Blue wire


E(Earth line)Yellow and green wire

Notice:

- When connect power supply, please make sure the E line (yellow & green.) is properly connected. And it is corresponded with the relative electrical installation standards.
- Insulation class between LV power supply and controlling conductor: I
- Please confirm the voltage of the power supply is corresponded to the voltage on the fixture's identifications before professionals install it. Please also make sure it has overload or leakage protection.
- If the external cable is damaged, don't change it by yourself, please contact the manufacture/local as soon as possible.
- AC220V:Lighting fixture connection not surpass 3 units (2.5mm²).
- AC100V:Lighting fixture connection not surpass 2 units (2.5mm²).

Installation specification

Attention for Installation

● To prevent the dirt and oil leave on the lamp, please do not touch the lamp with bare hands when you replace the lamp. Keep the lamp clean. You can use the cleansing towel that come in with the lamp to clean the lamp. ()

● Please do not install other similar lamp model or this action may lead to safety issues and damage to the fixture. We do not take any responsibility if you use other lamp model. We strongly suggested to use the original lamp model.

● For lower the risk of damage the fixture, please change the lamp before it exceed its lifespan.

● It is forbidden to use the lamp if it is damaged or scratched.

● Please check if the lamp is in right position and aim at the hole before install it into the lamp slot holder.

Installation instruction& requirement

The user need to make regularly inspect the safety fixtures and installing parts, if there is lack of operating conditions and professional standards, please operate it by professional person, to avoid to incorrect installation by non-professional person leading to property loss or life danger.

Make sure there is no damage to rigging and clamps and they can bear at least 10 times weight of the fixture. Check if the truss or pipe construction can bear at least 10 times total weight of all equipment, clamps, cables and accessories.

G-clamp Installation

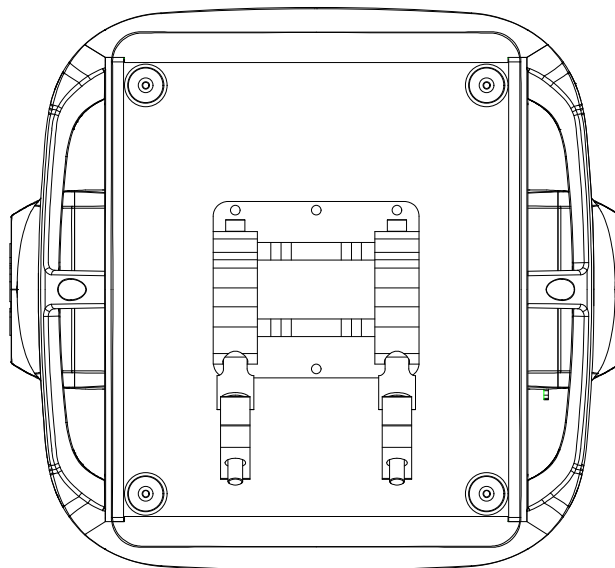
The fixture comes with the G-clamp(Pic7).

Fixture Installation

Fixture is installed on the stage or truss, and the G-clamp can be locked on the truss tightly and quickly. (Pic 8)

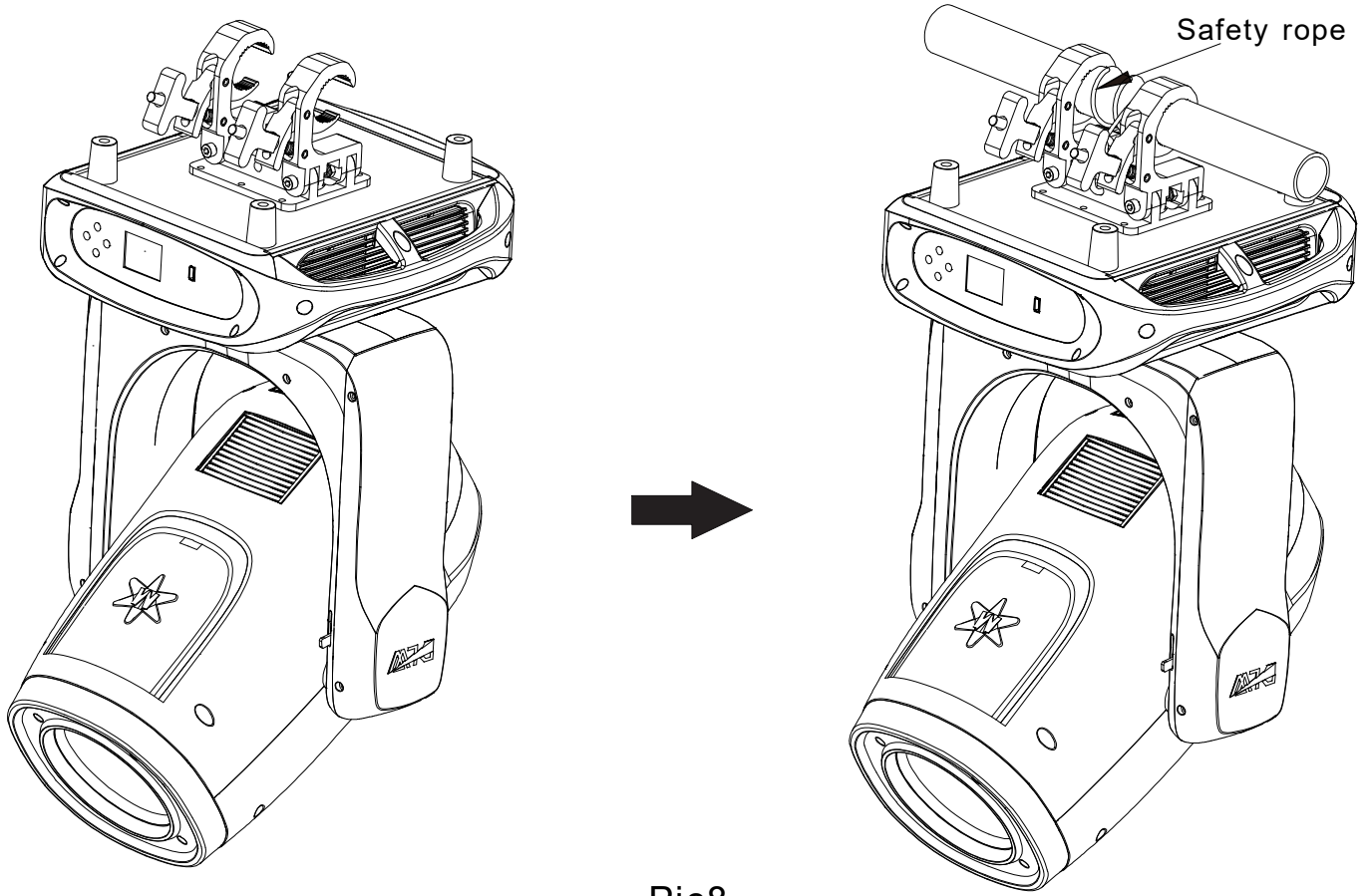
Notice:

- User must check if the G-clamp and safety chain are damaged or not.
- The fixture must be fixed by 2 G-clamps, clockwise turning them to fast-lock tightly, and adding a safety chain to connect the hole in the base, don't connect it to the handle..
- Please unlock the lock of pan/tilt before power on.
- Side hanging for lang time is not recommended.



Pan position

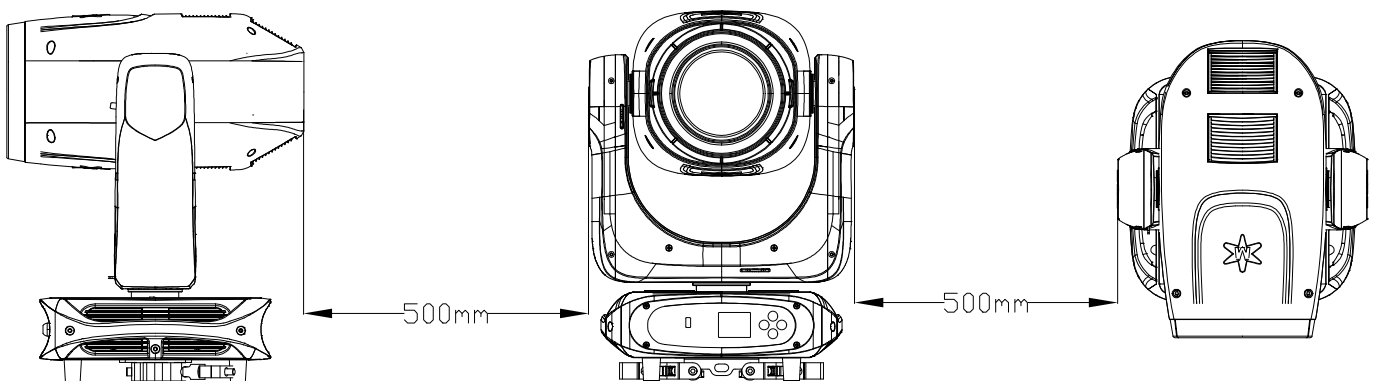
Pic7



Pic8

Fixture Placement

When place the fixture, please check there is no inflammable object or inflammable material around the fixture. Then place the fixture vertically upward. The shortest safety distance for adjacent fixtures is ≥ 0.5 m when they are working. Fixtures installation show as follow(pic12).



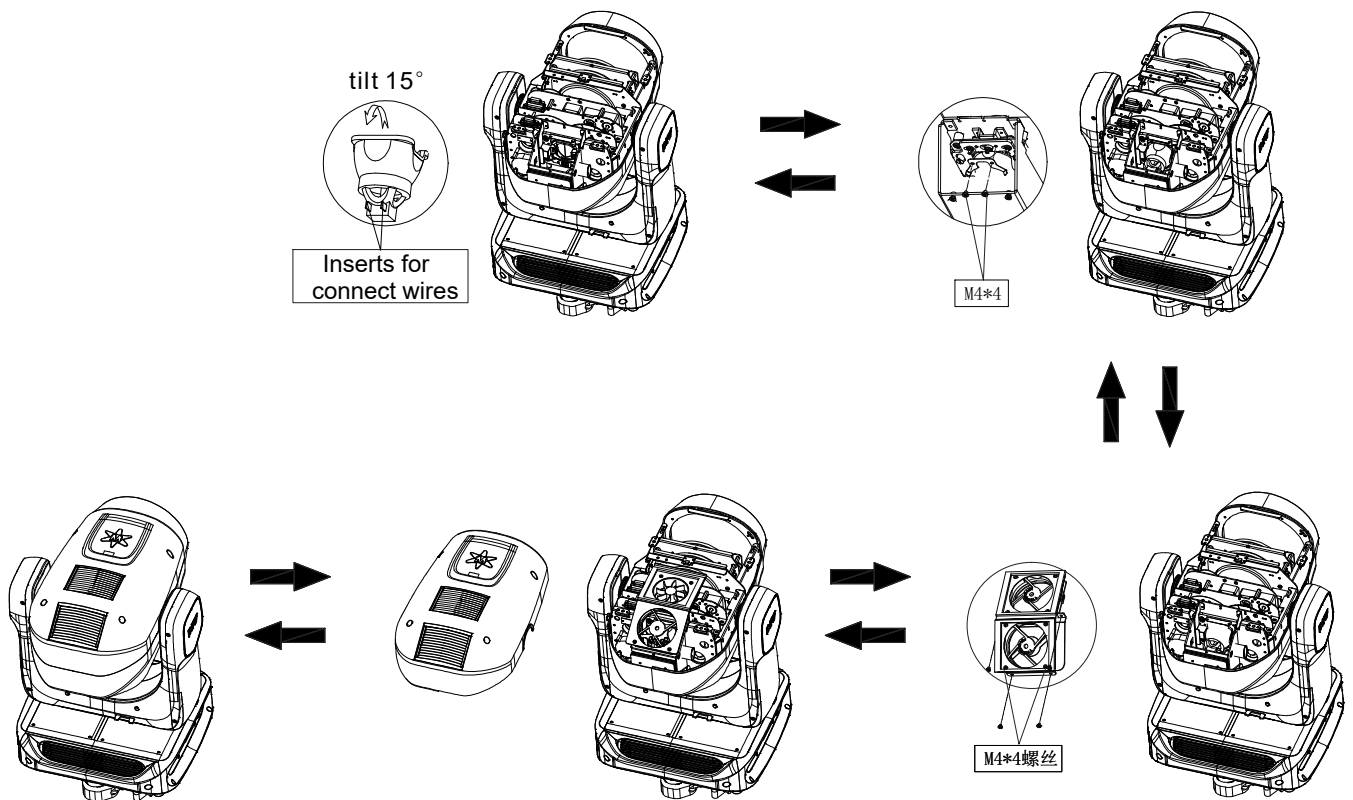
Pic9

Lamp Installation

- DLW 550BSW PLUS Light source:PHILIPS MSD Platinum 500L Flex
- DLW 480BSW PLUS Light source:OSRAM SIRIUS HRI 482W

Replace the lamp

- When the lamp is on, please turn off the lamp, wait for the lamp is cooled sufficiently (usually 15 minutes) then cut off the electricity, and lock the tilt lock of the arm on pan position (Pic 10).
- When installing the lamp, please lock the fixture with tilt 135°, and avoid the internal wall of lamp touch the metal plate, gently place the lamp into the lamp slot holder with angle 15°, hold the lamp tight, push it in and give some pressure on the elastic pad, check if the angles of lamp are locked well. The installation of lamp is completed if it is locked well, otherwise it is not. Lock the fixture with tilt 135°, 45° then install the housing (Pic 10).
- When dismantle the lamp, lock the fixture with tilt 135°, 45° then dismantle the housing first, and then take out the fan, unscrew the screws for fixing the lamp, hold the lamp tight and give some pressure on the elastic pad, and wait till the other two angles of lamp are out then take out the lamp with angle of 15°. Please pay attention and avoid the clip touch the internal wall of lamp (Pic 10).



Pic10

DMX Channel Sheet (Brief)

Channel	29CH	31CH	40CH
1	Pan	Cyan	Pan
2	Pan Fine	Magenta	Pan Fine
3	Tilt	Yellow	Tilt
4	Tilt Fine	Color1 Wheel	Tilt Fine
5	Strobe	Color2 Whee	Strobe
6	Dimmer	Color3 Wheel	Dimmer
7	Dimmer Fine	Strobe	Dimmer Fine
8	Focus	Dimmer	Focus
9	Zoom	Dimmer Fine	Focus Fine
10	Cyan	Fixed Gobo	Zoom
11	Magenta	Animation	Zoom Fine
12	Yellow	Animation Rotate	Cyan
13	CTO	Gobo1	Cyan Fine
14	Color1 Wheel	Gobo1 Rotate	Magenta
15	Color2 Whee	Gobo1 Rotate Fine	Magenta Fine
16	Color3 Wheel	Prism1	Yellow
17	Gobo1	Prism1 Rotate	Yellow Fine
18	Gobo1 Rotate	Prism2	CTO
19	Gobo1 Rotate Fine	Prism2 Rotate	CTO Fine
20	Fixed Gobo	Frost	Color1 Wheel
21	Animation	Zoom	Color2 Whee
22	Animation Rotate	Focus	Color3 Wheel
23	Prism1	Focus Fine	Gobo1
24	Prism1 Rotate	Beam mode	Gobo1 Rotate
25	Prism2	Pan	Gobo1 Rotate Fine
26	Prism2 Rotate	Pan Fine	Fixed Gobo
27	Frost	Tilt	Animation
28	Beam mode	Tilt Fine	Animation Rotate
29	Fixture control	CTO	Animation Rotate Fine
30	-	Reset	Prism1
31	-	Lamp control	Prism1 Rotate
32	-	-	Prism2
33	-	-	Prism2 Rotate
34	-	-	Frost
35	-	-	Beam mode
36	-	-	Fixture control
37	-	-	Pan/Tilt speed
38	-	-	Color speed
39	-	-	Focus speed
40	-	-	Gobo speed

DMX Specific Channel Sheet

29CH	31CH	40CH	Specifications	DMX Value	Function
1	25	1	Pan	0-255	0°->540°
2	26	2	Pan Fine		
3	27	3	Tilt	0-255	0°->252°
4	28	4	Tilt Fine		
5	7	5	Strobe	0-19	Closed
				20-49	Open
				50-200	Strobe from slow to fast
				201-210	Open
				211-255	Random strobe from slow to fast
6	8	6	Dimmer	0-255	Closed-open(0%-100%)
7	9	7	Dimmer Fine		
8	22	8	Focus	0-255	From far to near
-	23	9	Focus Fine		
9	21	10	Zoom	0-255	From large to small
-	-	11	Zoom Fine		
10	1	12	Cyan	0-255	0%->100%
-	-	13	Cyan Fine		
11	2	14	Magenta	0-255	0%->100%
-	-	15	Magenta Fine		
12	3	16	Yellow	0-255	0%->100%
-	-	17	Yellow Fine		
13	29	18	CTO	0-255	0%->100%
-	-	19	CTO Fine		
14	4	20	Color1 Wheel	0-127	Color Linear movement
				128-152	Color1
				153-178	Color2
				179-203	Color3
				204-228	Color4
				229-255	Color5
15	5	21	Color2 Wheel	0-127	Color Linear movement
				128-152	Color1
				153-178	Color2
				179-203	Color3
				204-228	Color4
				229-255	Color5
16	6	22	Color3 Wheel	0-127	Color Linear movement
				128-152	Color1
				153-178	Color2
				179-203	Color3
				204-228	Color4
				229-255	Color5

17	13	23	Gobo1	0-9	Open
				10-18	Gobo 1
				19-27	Gobo 2
				28-36	Gobo 3
				37-45	Gobo 4
				46-54	Gobo 5
				55-63	Gobo 6
				64-72	Gobo 7
				73-81	Gobo 8
				82-97	Gobo1 shake from slow to fast
				98-113	Gobo2 shake from slow to fast
				114-129	Gobo3 shake from slow to fast
				130-145	Gobo4 shake from slow to fast
				146-161	Gobo5 shake from slow to fast
				162-177	Gobo6 shake from slow to fast
				178-193	Gobo7 shake from slow to fast
				194-209	Gobo8 shake from slow to fast
210~232	Clockwise rotation from slow to fast				
233~255	Anti-clockwise rotation from fast to slow				
18	14	24	Gobo1 Rotate	0-127	Indexing(0-360Degree)
				128-190	Anti-clockwise rotation from fast to slow
				191-192	Stop
				193-255	Clockwise rotation from slow to fast
19	15	25	Gobo1 Rotate Fine		
				0-3	Open
				4-7	Gobo 1
				8-11	Gobo 2
				12-15	Gobo 3
				16-18	Gobo 4
				19-22	Gobo 5
				23-26	Gobo 6
				27-30	Gobo 7
				31-34	Gobo 8
				35-37	Gobo 9
				38-41	Gobo 10
				42-45	Gobo 11
				46-49	Gobo 12
				50-53	Gobo 13
				54-56	Gobo 14
				57-60	Gobo 15
				61-64	Gobo 16
65-68	Gobo 17				


20	10	26	Fixed Gobo	69-71	Gobo 18
				72-77	Gobo1 shake from slow to fast
				78-82	Gobo2 shake from slow to fast
				83-87	Gobo3 shake from slow to fast
				88-93	Gobo4 shake from slow to fast
				94-98	Gobo5 shake from slow to fast
				99-103	Gobo6 shake from slow to fast
				104-109	Gobo7 shake from slow to fast
				110-114	Gobo8 shake from slow to fast
				115-119	Gobo9 shake from slow to fast
				120-125	Gobo10 shake from slow to fast
				126-130	Gobo11 shake from slow to fast
				131-135	Gobo12 shake from slow to fast
				136-141	Gobo13 shake from slow to fast
				142-146	Gobo14 shake from slow to fast
				147-151	Gobo15 shake from slow to fast
				152-157	Gobo16 shake from slow to fast
				158-162	Gobo17 shake from slow to fast
				163-167	Gobo18 shake from slow to fast
168-211	Anti-clockwise rotation from fast to slow				
212-255	Clockwise rotation from slow to fast				
21	11	27	Animation	0-10	Open
				11-160	Animation effect 1
				161-255	Animation effect 2
22	12	28	Animation Rotate	0-3	Open
				4-127	Anti-clockwise rotation from slow to fast
				128-132	Stop
				133-255	clockwise rotation from slow to fast
-	-	29	Animation Rotate Fine		
23	16	30	Prism1	0-127	Open
				128-255	Prism1
24	17	31	Prism1 Rotate	0-127	Indexing(0-360Degree)
				128-190	Anti-clockwise rotation from fast to slow
				191-192	Stop
				193-255	clockwise rotation slow to fast
25	18	32	Prism2	0-127	Open
				128-255	Effect 1
26	19	33	Prism2 Rotate	0-127	Indexing(0-360Degree)
				128-190	Anti-clockwise rotation from fast to slow
				191-192	Stop
				193-255	clockwise rotation slow to fast
27	20	34	Frost	0-255	Frost Animation Linear Movement insert

28	24	35	Beam mode	0-127	Spot mode
				128-255	Beam mode
-	30		Reset	0-9	Null
				10-14	Fixture reset
				15-29	Specification reset
				30-34	Pan-tilt reset
				35-255	Reserved
-	31		Lamp control	0-25	Null
				40-44	Lamp off
				45-49	Lamp on
				50-255	Reserved
29		36	Fixture control	0-9	Null
				10-14	Fixture reset
				15-29	Null
				30-34	Pan-tilt reset
				35-39	Reserved
				40-44	Lamp on
				45-49	Lamp off
				50-255	Reserved
-	-	37	Pan/Tilt speed	0-255	Stepping time from fast to slow
-	-	38	Color speed	0-255	Stepping time from fast to slow
-	-	39	Focus speed	0-255	Stepping time from fast to slow
-	-	40	Gobo speed	0-255	Stepping time from fast to slow

Note: DLW 480BSW PLUS , without CTO, DMX channel is reserved.

Maintenance & cleaning of the fixture

The fixture needs to be maintained and cleaned daily, because its lifespan depends on working environment and daily maintenance. Please contact our company engineer for any questions and feedback which are out of this user manual to our professional engineer.

Notes as bellow: 

- The power supply must be cut off before open the shell.
- Please open the shell after the fixture cooled completely
- Cleaning the optics components gently to avoid scratching the surface coating, To avoid damaging plastic and scratching the surface coating, Please don't use any harmful liquid or hard objects.
- Wiping the particulate Matter with tasteless tissue-paper or cotton cloth with clean, distilled water. Don't wipe the surface, but blow away floating things with pressure gas, any residues must be cleaned with distilled water from center to edge, and then dry it with soft cotton cloth.
- Please change the lens in time when it cracks or has other damages
- It is out of warranty any damage caused by fan with overmuch dust, smoke fluidity and abnormal using fixture.
- There is temperature protection device of the fixture, when the temperature is too high the LED module will be off automatically. When this happens, please check if the fan is working well or not. Plus, checking if the fan filter is blocked by dust. Please only reset the fixture after the qualified professional technicians finish troubleshooting.
- Weekly cleaning and maintenance for the fan filters and lens is recommended. Please do a complete maintenance half a year.

Troubleshooting

The following are some problems in process of operation, and there are some suggestions for troubleshooting:

Fixture doesn't response, when power on

- Check if power input is normal.
- Check if power switch is on.
- Check if fuse is burned.

Console losing control:

- Check if the display is flicker, if yes, check if DMX signal connector and signal cable are connected well.
- If the display is not flickering, but the fixture is still have no response to the control channel instructions, please check if IP address is correctly set.
- If DMX signal is not stable, please check XLR socket and signal cable are connected well.
- Change another console for testing.

channel failure:

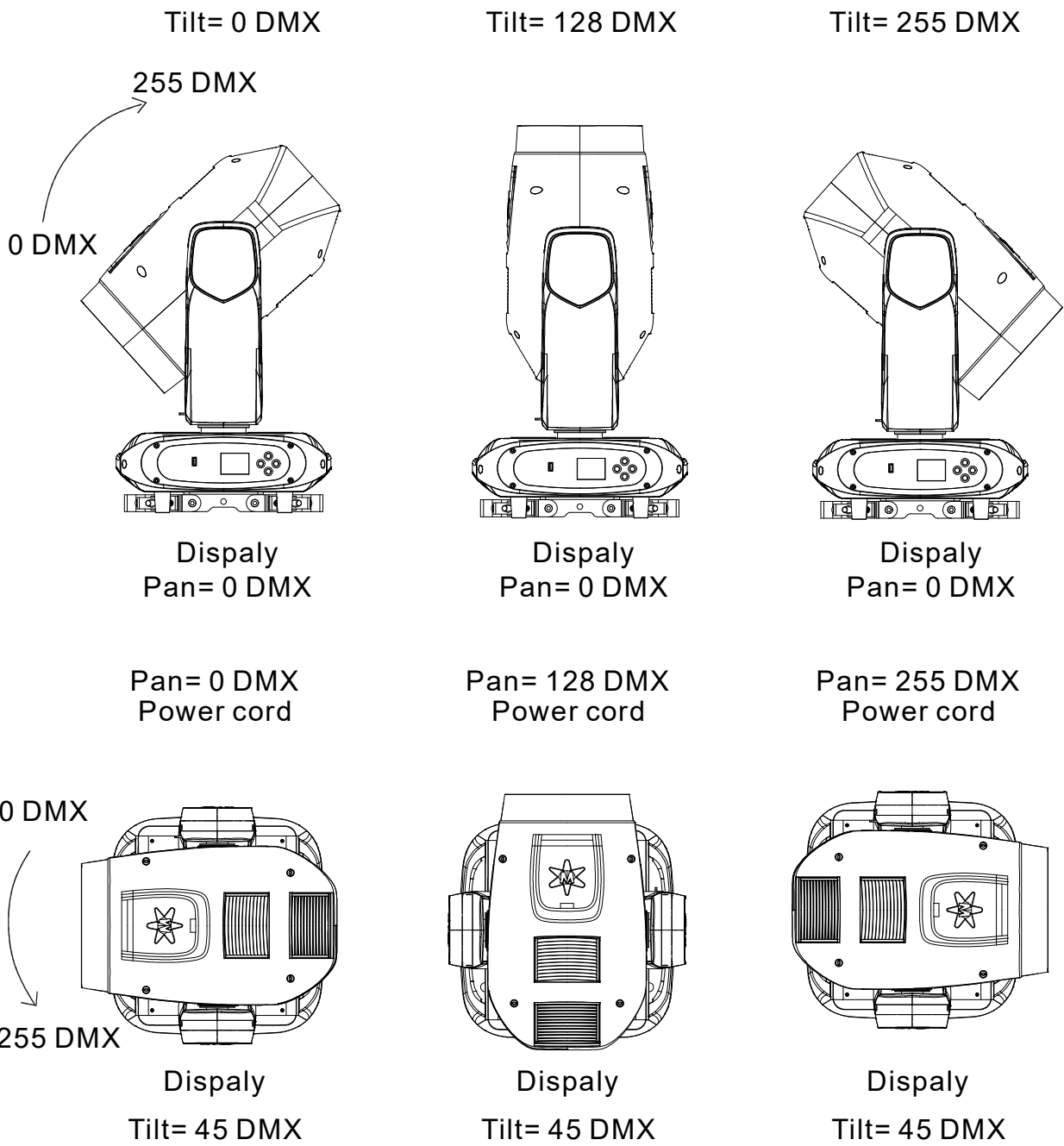
- Step motor or motor leading wire Maybe damaged.
- Drive circuit of motor may be damaged.

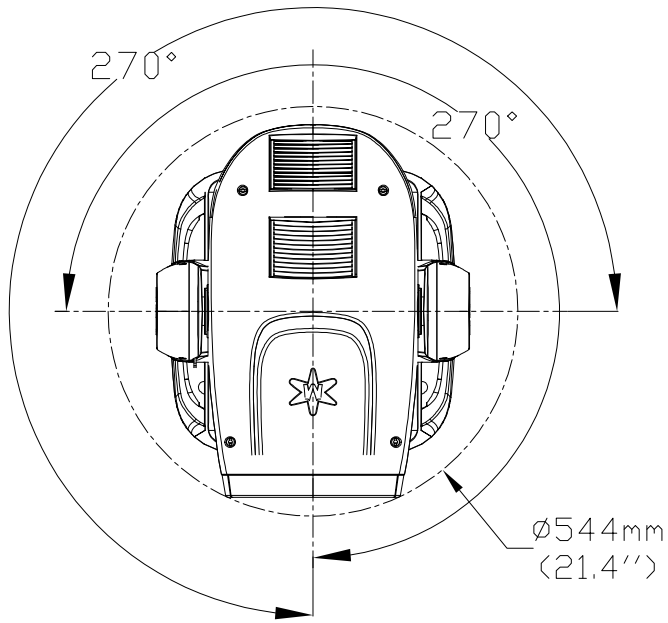
Lamp blinking:

- Check if the voltage is too high or too low, when the lamp is abnormal lighting.
- It is necessary to change the fan if the inner temperature is too high.

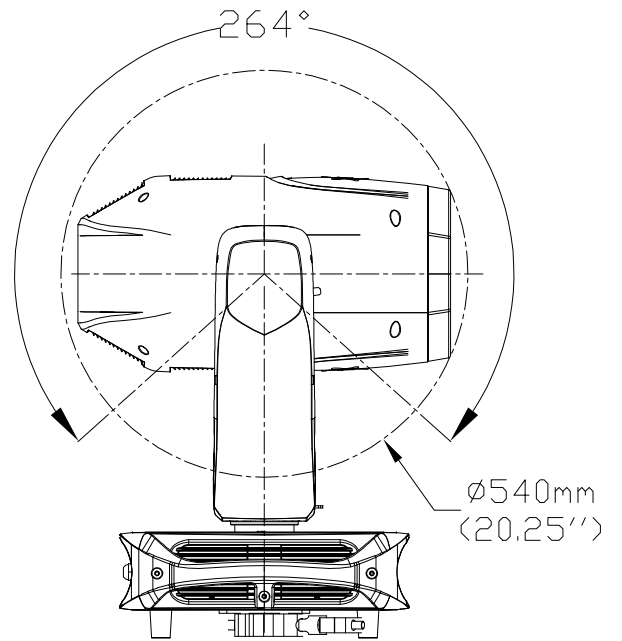
Attachment 1 Angle range and the measurement figure of the fixture

● Angle range of the fixture



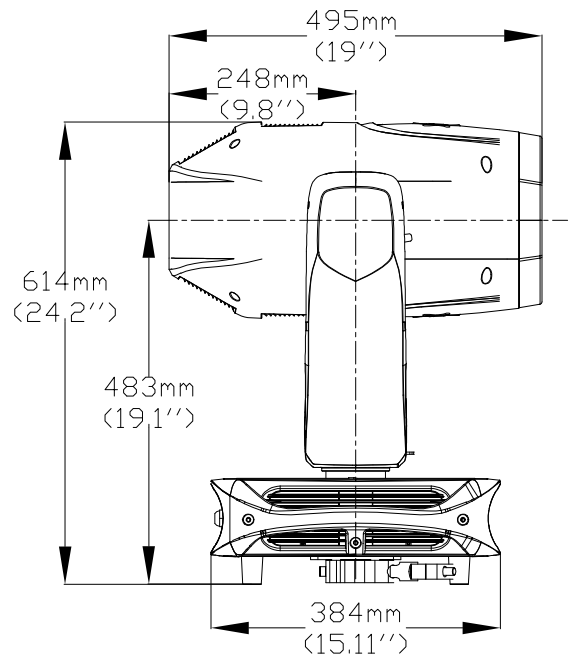
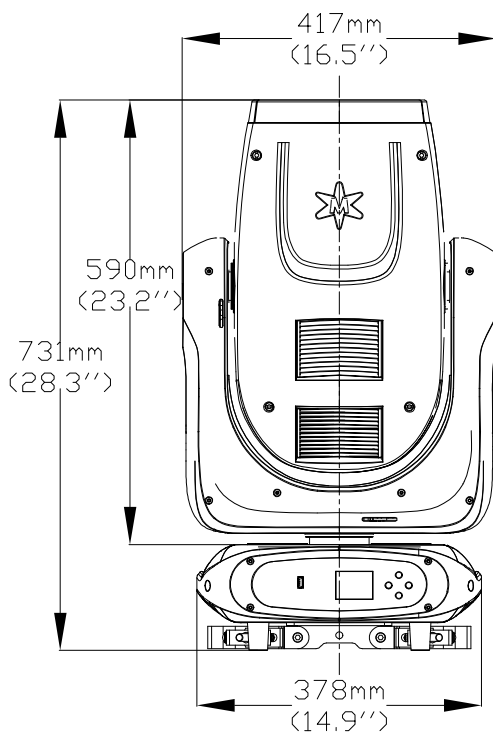


Pan position

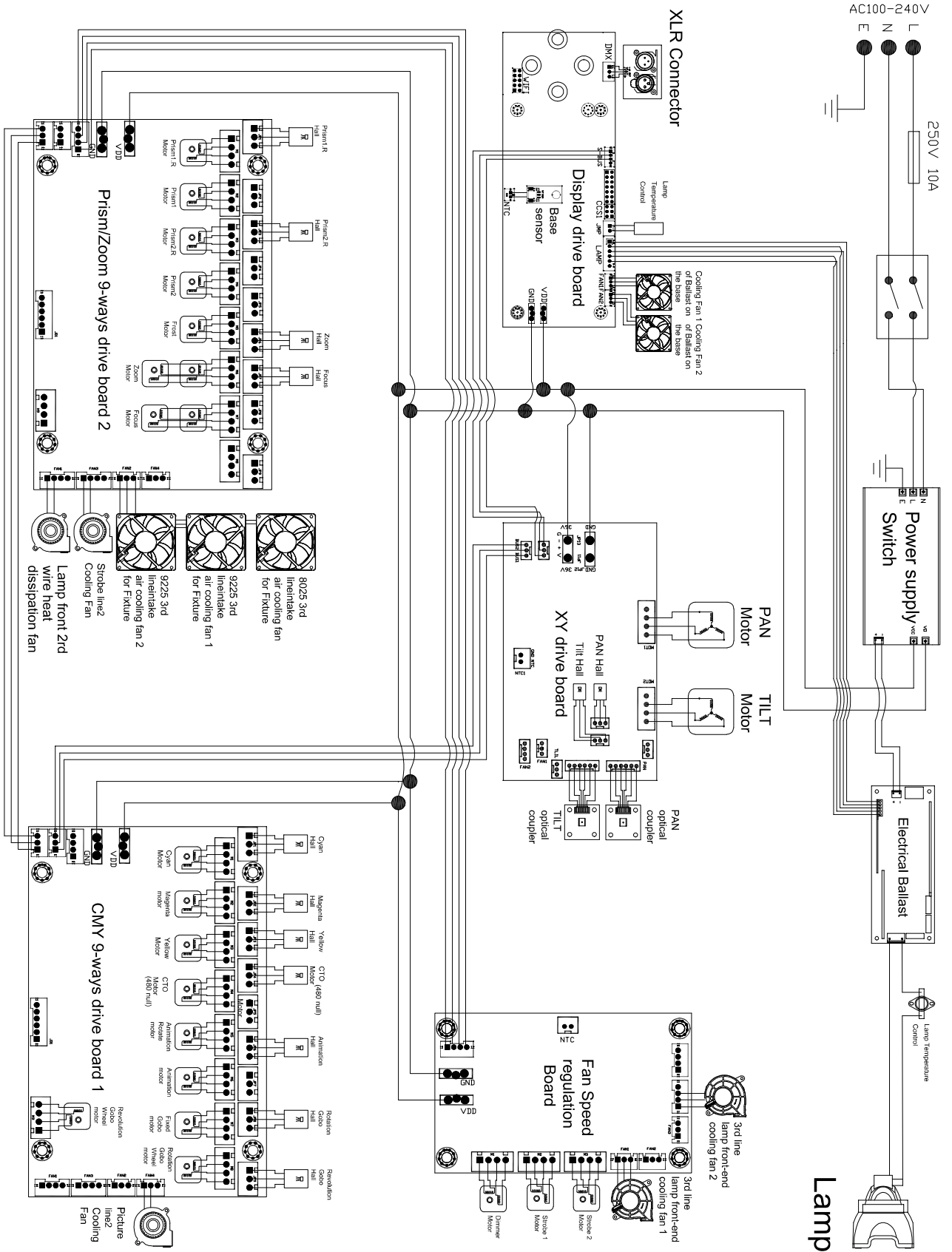


Tilt position

● **The measurement figure of the fixture**



Attachment 2 Electrical Diagram





DREAMLIGHT



Guangzhou Dream Lighting Equipment Co., LTD

Add.No.21,Ruixiang Road, Xinhua Industrial Zone,
Huadu District, Guangzhou

Tel.020 8161 2345 Fax. 020 3686 6631

www.dlw-lighting.com